

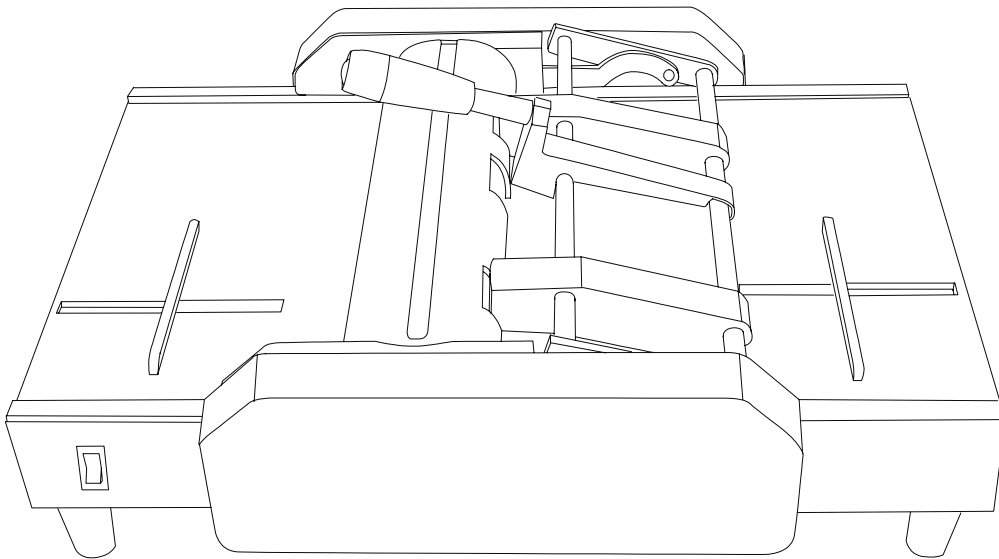
For More Info



Click Here --->

Operation Manual

FOR BOOKLETMAKER Jr.



MBM
CORPORATION

1-800-223-2508
www.mbmcorp.com

Keep this manual so that it can be retrieved whenever needed

CAUTION

When the machine is running, never put your hands near or under the rollers.

Do not remove the bottom lid, front and rear covers from the machine. The inside of the machine contains high voltage parts or hazardous moving parts, which may cause electric shock or personal injury.

A socket-outlet shall be installed near the equipment and shall be easily accessible.

For More Info

Click Here --->



For More Info 
Click Here ---->


Warning

Warning:
hazardous moving parts keep hands
and other body parts away.

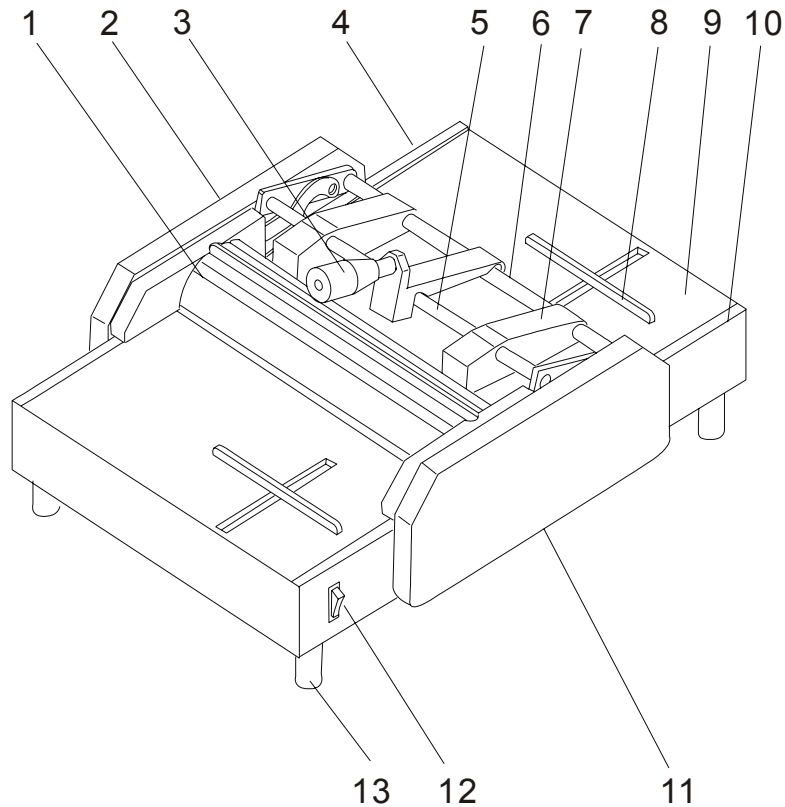
Warn:
The surface of the motor is hot.
Be careful, Don't touch

Caution

Caution:
For continued protection
against risk of fire, replace only with
the same type and rating of fuse.

For More Info 
Click Here --->

No.	Description	Qty
1	Warning Label 1	1
2	Cover Label	2
3	Brand Label	1
4	Model Label	1
5	Fuse Label	1
6	Caution Label	1
7	Warning Label 2	1
8	Warning Label 3	1



Main Operating Parts

- | | |
|------------------------|---------------------|
| (1) Safety Cover | (8) Paper Guide |
| (2) Back Cover | (9) Table |
| (3) Stapling Handle | (10) Side Guide (A) |
| (4) Side Guide (B) | (11) Front Cover |
| (5) Sub Holding Shaft | (12) On/Off Switch |
| (6) Main Holding Shaft | (13) Rubber Feet |
| (7) Stapling Head | |

For More Info

Click Here ---->



For More Info



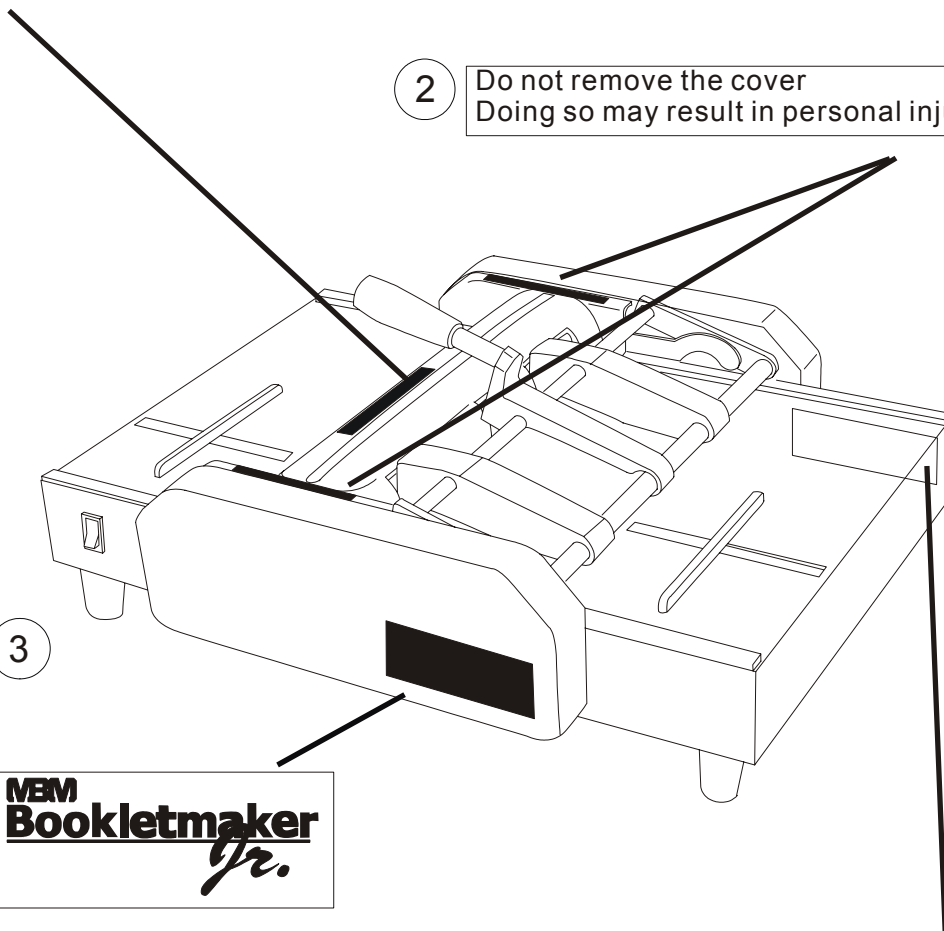
Click Here --->

1

⚠ Warning hazardous moving parts keep hands and other body parts away

2

Do not remove the cover
Doing so may result in personal injury




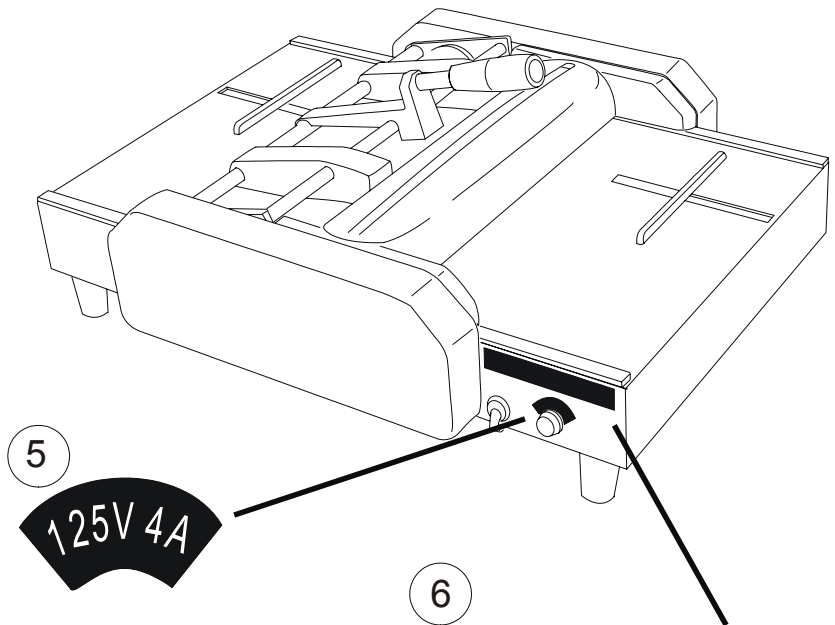
3



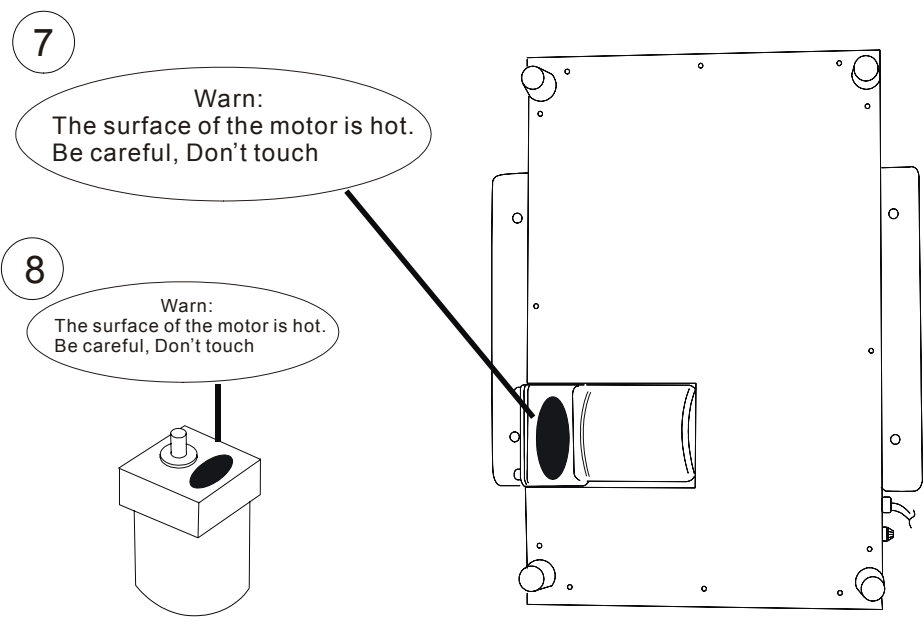
4

MEM CORPORATION	MODEL BOOKLETMAKER Jr.
N. Charleston, SC 29418	800-223-2508
SERIAL NO: <input type="text"/>	
VOLTS: 110VAC	Hz: 60 AMP: 0.8

For More Info 
Click Here ---->



! CAUTION:
FOR CONTINUED PROTECTION AGAINST RISK OF FIRE, REPLACE ONLY WITH THE SAME TYPE AND RATING FUSE.



For More Info

Click Here --->



Operation Procedures

1. Before Operating

- 1.1 Fit stapling handle: First insert the end of the stapling handle at the main holding shaft then press in the sub-holding shaft.
- 1.2 Load Staples
- 1.3 Connect the power cable

2. Make a Booklet

- 2.1 Switch on the machine
- 2.2 Choose the correct staple position according to the sheet size.
- 2.3 Set the paper guides; place the sheets under the rollers and align the sheets to side guide (A).
- 2.4 Set the paper guides to hold the sheets in position.
- 2.5 Press down the stapling handle to complete the stapling.
- 2.6 Lift up the stapling handle and firmly press down to the other side and hold. The stapled sheets will be fed up through the fold rollers to complete the booklet.
- 2.7 Repeat steps 2.3-2.6 for further booklets.
- 2.8 Switch off the machines after finishing.

3. Side Stapling

- 3.1 Choose and fix the staple position according to the sheet size.
- 3.2 Place the sheets under the rollers.
- 3.3 Depending on the stapling position, align the sheets to side guide (A) or side guide (B)
- 3.4 Set the side distance and hold the sheets.
- 3.5 Press down the stapling handle for stapling.
- 3.6 Repeat steps 3.2-3.5 for further side stapling.

4. Repair & Maintenance

- 4.1 Always clean up machine after used.



Specifications

Paper size	Min. 197mmx273mm (7.8" x 10.8") Max. 297mmx420mm (11.7" x 16.5")
Max. Stapling Amount	10 sheets of 70gsm Bond paper* (20 lbs. paper)
Max. Folding Amount	10 sheets of 70gsm Bond paper* [40 pages booklet] (20 lbs. paper)
Power source	AC 110V 0.8A 60Hz
Watt	40W
Dimensions	500mmx235mmx395mm (19.7" x 9.3" x 15.6")
Weight	15Kg (33lbs.)

*This may vary depending upon paper quality

For More Info

Click Here --->

